

To meet the continually changing demand for filtration in the nuclear industry, DTS offers a wide range of filter cartridges for use in nuclear operating environments.

Filter Benefits

Design characteristics of these filters include:

- Physically, chemically suited to all nuclear pool environments for long-term storage
- Pleated construction provides large filtration area
- High dirt loading with high flow rates
- Inside-to-outside flow, with solid bottom end caps to contain filtered crud inside cartridge and prevent spread of contamination during filter draining and disposal
- Remote underwater handling capability
- Negative buoyancy to prevent flotation
- Easily handled and drip-dried
- Easily compacted for volume reduction

Cartridge Specifications

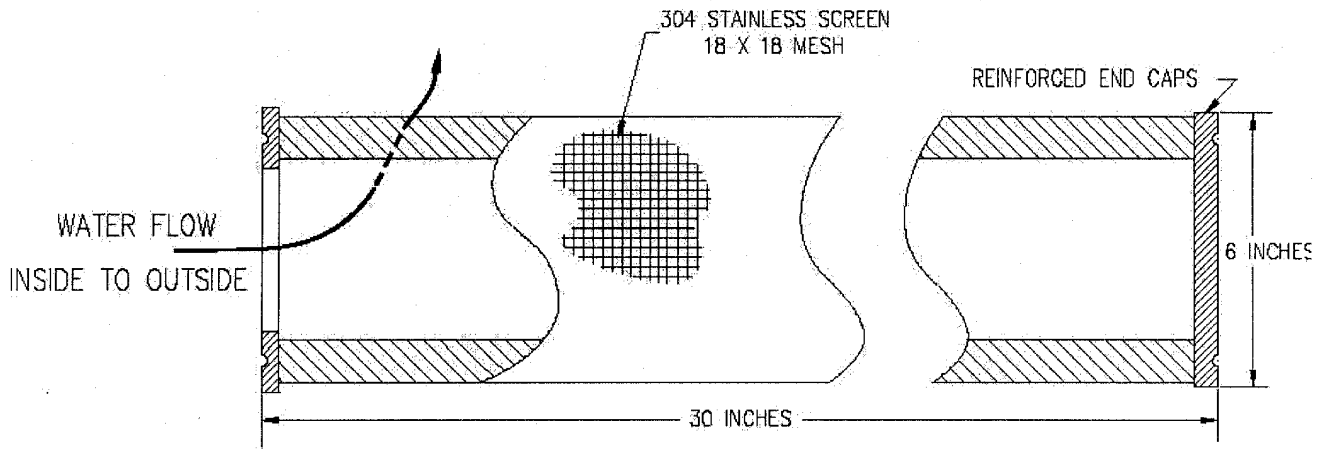
Outside Diameter	6 inches
Inside Diameter	3.5 inches
Length	30 inches
Filter Media	Polyester or Microglass
Max. Flow Rate	150 gpm
Max. Operating Temp.	140° F
Max. Differential Pressure	25 psid



Filter Cartridges

Nuclear Applications

- Reactor Cavity and SFP turbidity control
- Torus/Suppression Pool cleanup
- Condensate/Reactor Water Storage Tank cleanup
- Reactor Vessel Internal and Component underwater cleaning
- Filtration for Underwater Plasma Cutting/EDM
- Underwater loose parts retrieval
- Fuel Pool surface skimming
- Low Point Drain flushing and cleanout
- Radioactive Waste Processing filtration
- Prefiltration for Reverse Osmosis operations



Engineering Detail—VCPH-PE Filter Cartridges

Filter Cartridge Options

Model #	Material	Microns	Rating	Surface Area
<i>Standard High Dirt Holding Cartridges</i>				
DT-VCPH-0.3PE	Polyester	0.3	Nominal	60 ft ²
DT-VCPH-1PE	Polyester	1	Nominal	62 ft ²
DT-VCPH-5PE	Polyester	5	Nominal	85 ft ²
DT-VCPH-10PE	Polyester	10	Nominal	64 ft ²
DT-VCPH-20PE	Polyester	20	Nominal	64 ft ²
<i>Special Applications</i>				
DT-VCP-0.1G	Microglass	0.1	Absolute	60 ft ²

Filter Equipment

DTS offers handy and inexpensive remote filter handling tools for underwater operations, and a full complement of filter housings and shields.

Our simple-to-operate Filter Consolidator (crusher) yields a Volume Reduction of 4:1.

